



BoTEMP Series

Automated Body Temperature Reader

User Guide

COPYRIGHT NOTICE

All rights reserved. No part of this book may be reproduced or transmitted in any form or by any means, electronic or mechanical, including photocopying, recording, or by any information storage and retrieval system, without written permission from TimeTec Holding. Every precaution has been made to supply complete and accurate information. Information in this document is subject to change without prior notice.

DISCLAIMER

No person should rely on the contents of this publication without first obtaining advice from a qualified professional person. The company expressly disclaims all and any liability and responsibility to any reader or user of this book, in respect of anything, and of the consequences of anything, done by any such person in reliance, whether wholly or partially, upon the whole or any part of the contents of this book.

TimeTec Cloud

TABLE OF CONTENTS

1	PRODUCT SPECIFICATION	4-5
2	SETTINGS	6
3	CONNECTION DIAGRAM	7
4	CONNECTION DESCRIPTIONS	8-9
5	INSTALLATION DIAGRAM	10-11

1 Product Specification

BoTEMP-X Specification



MODEL	BoTEMP-X
PRODUCT DIMENSION, mm	130 x 90 x 53
WEIGHT, gm	240
MEASURING DISTANCE, cm	5 – 10
MEASURING TIME (second)	<0.5
SENSOR	WTTS001
ACCURACY	+/-0.2°C
WORKING AMBIENT TEMPERATURE	5°C ~ 44°C
MEASURED TEMPERATURE RANGE	35°C ~ 42.9°C
DISPLAY	Infrared LED
OPERATING VOLTAGE	5V-12V DC
INTERNAL RELAY	Yes
ALARM	Yes (external available)
CERTIFICATE	CE/FCC
INSTALLATION	Wall-mounted

BoTEMP-X Specification



MODEL	BoTEMP-Y
PRODUCT DIMENSION, mm	120 x 100 x 22
WEIGHT, gm	200
MEASURING DISTANCE, cm	5 – 10
MEASURING TIME (second)	<0.5
SENSOR	WTT5001
ACCURACY	+/-0.2°C
WORKING AMBIENT TEMPERATURE	5°C ~ 44 °C
MEASURED TEMPERATURE RANGE	35°C ~ 42.9°C
DISPLAY	Infrared LED
OPERATING VOLTAGE	5V-12V DC
INTERNAL RELAY	Yes
ALARM	Yes (external available), 5V-12V Output
CERTIFICATE	CE/FCC
INSTALLATION	Wall-mounted

2 Settings

You are suggested to set to a new password before using the this device with administrator function

Administrator function: Long pressing key "M" for 6 seconds, displaying default password "0000", Press Key "M" again to set the new passwords. Key "+/-" is for Increasing and decreasing the value, key "M" is for positioning

Note: *If please make sure to remember the new passwords*

Alarm temperature setting

Press key "M" one time, the display will show 1. 37.5, meaning the default high temperature value is 37.5°C, press key "+/-" to adjust the target high temperature

Temperature compensation value setting

Press key "M" twice, the display will show 2 . 0.0, press key "+/-" to adjust the value (adjust value unit is 0.1°C)

Alarm switch off setting

Press key "M" the third time, the display will show 3. ON, press key "+/-" to switch off or switch on the alarm

Interval time setting

Press key "M" the fourth time, the display will show 4 . 5, key "+/-" to adjust value of interval time (interval time available between 3s ~ 90s)

Passwords change setting

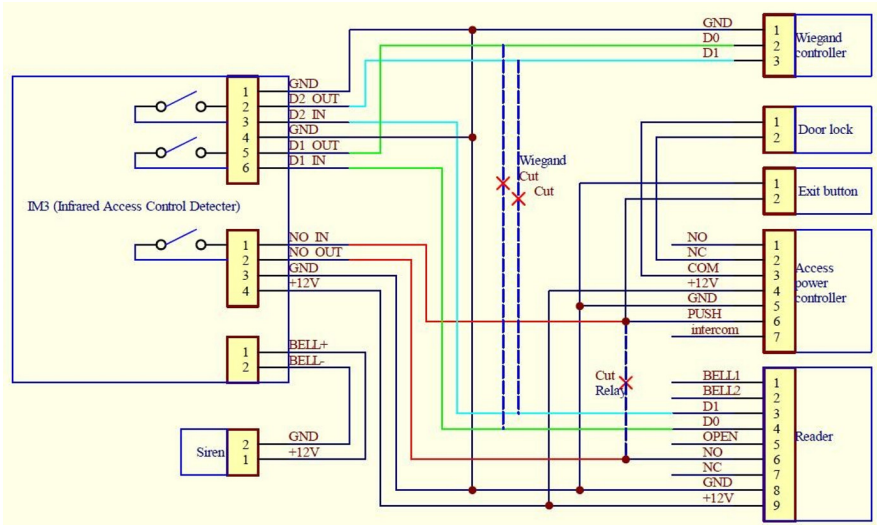
Press key "M" the fifth time, the display will show 5 PC, key "+/-" to adjust value of passwords, Key "+/-" is for Increasing and decreasing the value, key "M" is for positioning

Notes: *please make sure to remember the new passwords*

Exit setting

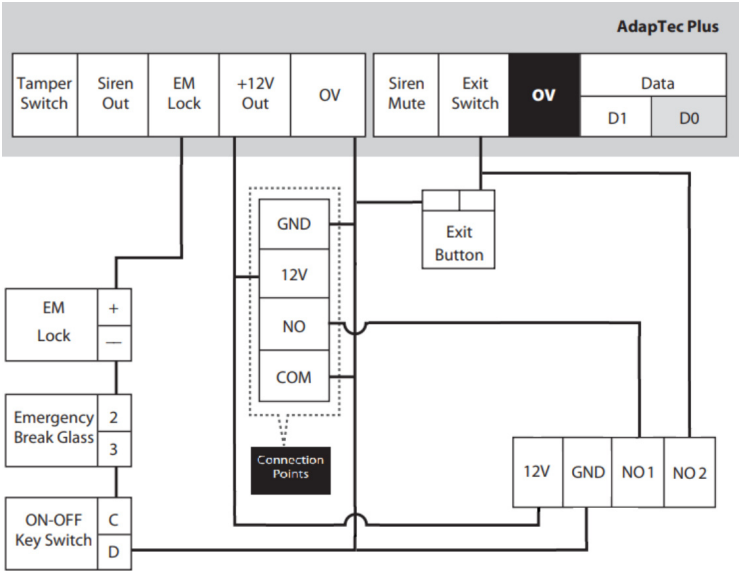
Press key "M" the sixth time to exit the setting

3 Connection Diagram



4 Connection Descriptions

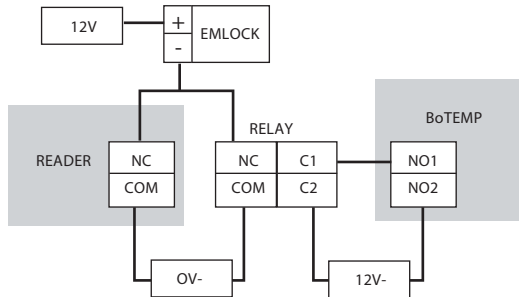
Connection 1 Power with AdapTec Plus + Door Access



Connection 2

Standalone

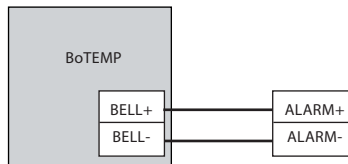
1. NO IN : Relay input
2. NO OUT : Relay output
3. GND : GND input
4. +12V : 12V power input



Connection 3

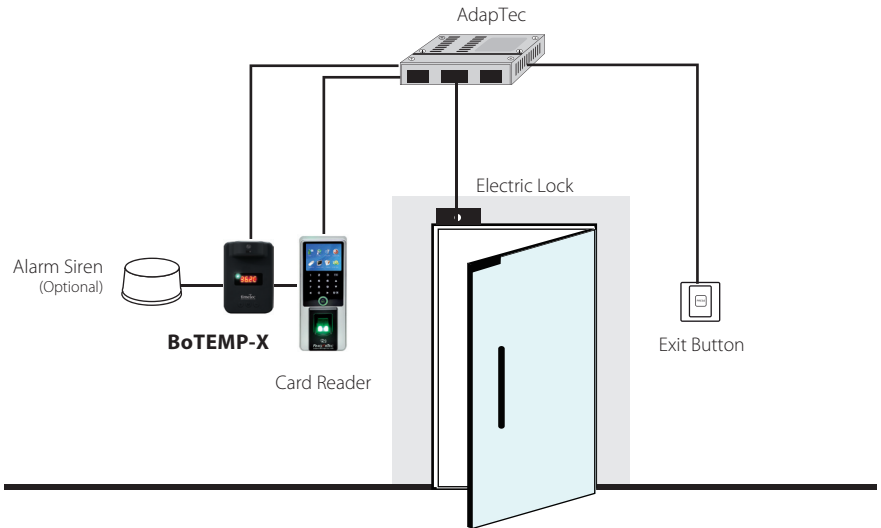
External Alarm

1. BELL+ : Alarm + 12V output
2. BELL- : Alarm - GND output



5 INSTALLATION DIAGRAM

BoTEMP-X



BoTEMP-Y

