



BoTEMP-X

BoTEMP-Y

# BoTEMP Series

Automated Body Temperature Reader

User Guide

### **COPYRIGHT NOTICE**

*All rights reserved. No part of this book may be reproduced or transmitted in any form or by any means, electronic or mechanical, including photocopying, recording, or by any information storage and retrieval system, without written permission from TimeTec Cloud. Every precaution has been made to supply complete and accurate information. Information in this document is subject to change without prior notice.*

### **DISCLAIMER**

*No person should rely on the contents of this publication without first obtaining advice from a qualified professional person. The company expressly disclaims all and any liability and responsibility to any reader or user of this book, in respect of anything, and of the consequences of anything, done by any such person in reliance, whether wholly or partially, upon the whole or any part of the contents of this book.*

**TimeTec Cloud**

## TABLE OF CONTENTS

<b>1</b>	<b>PRODUCT SPECIFICATIONS</b>	4-5
<b>2</b>	<b>SETTINGS</b>	6
<b>3</b>	<b>CONNECTION DESCRIPTION</b>	7-8
<b>4</b>	<b>INSTALLATION DIAGRAM</b>	9-10

1

# Product Specifications

## BoTEMP-X Specifications



<b>MODEL</b>	<b>BoTEMP-X</b>
<b>PRODUCT DIMENSION (mm)</b>	130 x 90 x 53
<b>WEIGHT (gm)</b>	240
<b>MEASURING DISTANCE (cm)</b>	5 – 10
<b>MEASURING TIME (second)</b>	<0.5
<b>SENSOR</b>	WTTS001
<b>ACCURACY</b>	+/-0.2°C
<b>WORKING AMBIENT TEMPERATURE</b>	5°C ~ 44°C
<b>MEASURED TEMPERATURE RANGE</b>	35°C ~ 42.9°C
<b>DISPLAY</b>	Infrared LED
<b>OPERATING VOLTAGE</b>	5V-12V DC
<b>INTERNAL RELAY</b>	Yes
<b>ALARM</b>	Yes (external available)
<b>CERTIFICATE</b>	CE/FCC
<b>INSTALLATION</b>	Wall-mounted

## BoTEMP-X Specifications



<b>MODEL</b>	<b>BoTEMP-Y</b>
<b>PRODUCT DIMENSION (mm)</b>	120 x 100 x 22
<b>WEIGHT (gm)</b>	200
<b>MEASURING DISTANCE (cm)</b>	5 – 10
<b>MEASURING TIME (second)</b>	<0.5
<b>SENSOR</b>	WTT5001
<b>ACCURACY</b>	+/-0.2°C
<b>WORKING AMBIENT TEMPERATURE</b>	5°C ~ 44°C
<b>MEASURED TEMPERATURE RANGE</b>	35°C ~ 42.9°C
<b>DISPLAY</b>	Infrared LED
<b>OPERATING VOLTAGE</b>	5V-12V DC
<b>INTERNAL RELAY</b>	Yes
<b>ALARM</b>	Yes (external available), 5V-12V Output
<b>CERTIFICATE</b>	CE/FCC
<b>INSTALLATION</b>	Wall-mounted

## 2 Settings

### Set a new password

Long press "M" key for 6 seconds.  
Displays default password "0000".  
Press "M" key again to set the new password.  
Key "+/-" is to add or reduce the value,

---

**Note:** Please make sure to remember the new password.

---

### Alarm temperature settings

Press "M" key once, the display will show [1. 37.5], means the default high temperature value is set at 37.5°C, press "+/-" key to adjust the default high temperature.

### Temperature variance value settings

Press "M" key twice, the display will show [2. 0.0], press "+/-" key to adjust the value (adjust value unit is 0.1°C).

### Alarm switch off settings

Press "M" key three times, the display will show [3. ON], press "+/-" key to switch off or switch on the alarm.

### Interval time settings

Press "M" key four times, the display will show [4. 5], press "+/-" key to adjust the value of interval time (interval time available between 3s~90s)

### Password change settings

Press "M" key five times, the display will show [5. PC], press "+/-" key to adjust the value of password. Press "+/-" key to add or reduce the value, press "M" to confirm the setting.

### Exit setting

Press "M" key six times to exit the setting.

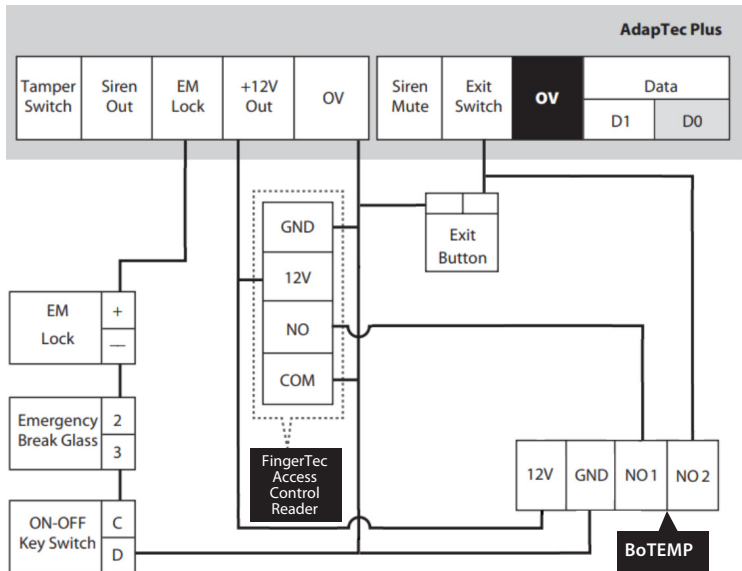
### Exit setting

Press key "M" the sixth time to exit the setting

## 3 Connection Diagram

### Connection 1

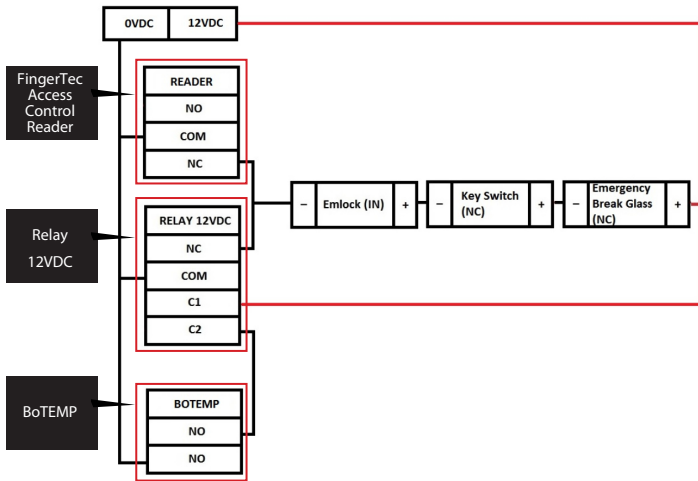
Pair with AdapTec Plus + Door Access Control Reader



### Connection 2

Pair with Access Control Reader

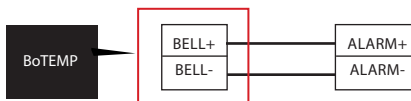
1. NO IN : Relay input
2. NO OUT : Relay output
3. GND : GND input
4. +12V : 12V power input



### Connection 3

Pair with External Alarm

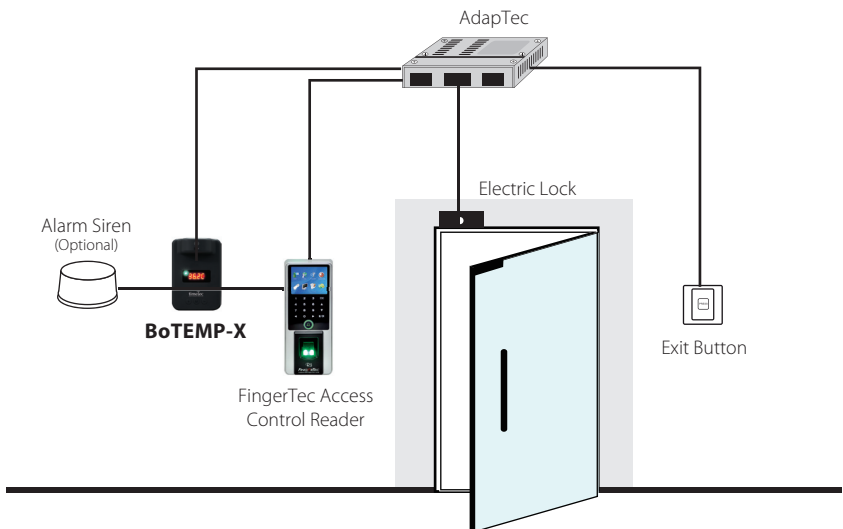
1. BELL+ : Alarm + 12V output
2. BELL- : Alarm - GND output





## 4 INSTALLATION DIAGRAM

### BoTEMP-X



## BoTEMP-Y

