

TIME BEACON

Attain Accuracy Effortlessly

Time Beacon is a battery powered device that taps on Bluetooth Low Energy, BLE, a protocol that is embedded in most smartphones, tablets and other devices of today. BLE protocol allows beacons to transfer files, photos or any digital information with minimal power after a simple and secure pairing process.

Time Beacon broadcasts its unique identities or information to nearby smartphones, tablets and other devices via BLE through one-way communication from the beacon to the devices only. The broadcast information can be variety such as unique IDs, web addresses, geolocations and etc. To use Time Beacon, users need to install appropriate mobile app into select devices for the information to be broadcasted by the beacon, and translated into useful information for users to view in the software.

TimeTec Beacon can be a cost effective replacement for conventional checkpoint device for guard tour, punch clock or biometric devices for time and attendance clocking and it comes with waterproof case for outdoor installation.

Usage of Time Beacon in TimeTec Cloud Solution (www.timeteccloud.com)



TimeTec Patrol www.timetecpatrol.com

Time Beacon replaces conventional guard tour checkpoints, readable by BLE-enabled smartphones installed with TimeTec Patrol App.



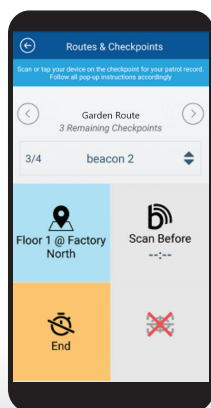
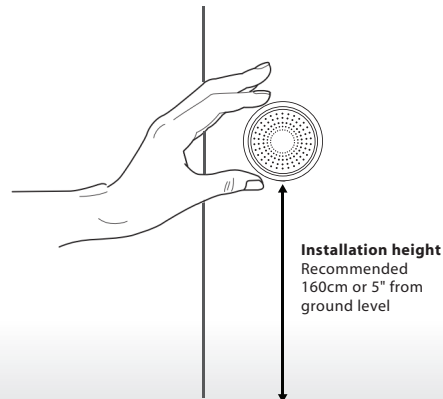
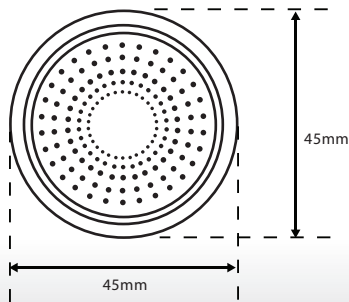
TimeTec TA www.timetecta.com

Users can scan the nearby Time Beacon for attendance clocking activities on TimeTec TA through BLE-enabled smartphones installed with TimeTec TA App.

UNDERSTANDING THE DESIGN

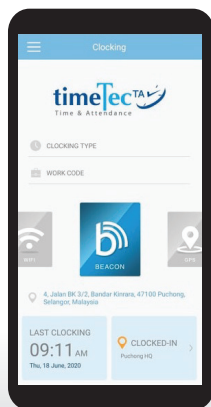
Installation Diagram

for illustration only



Mechanics of Time Beacon in TimeTec Patrol

Time Beacons are installed at regular gap for each patrol route for monitoring purpose. Each patrol guard is assigned with a BLE-enabled phone during his patrol rounds. When the guard scans a Time Beacon, all information containing identity, time, and exact location of the guard is sent to TimeTec Patrol's cloud portal. Punctuality can be controlled during patrol rounds, whereby everytime a guard clocks late or early at predefined checkpoints, automated notifications will be sent to notify supervisors or the management about the tardiness. TimeTec Patrol App is loaded with useful features for guards to perform patrol tasks, such as reporting of incidents, receiving adhoc tasks, and instant reporting during emergency; and with the app, monitoring of guards' locations in real-time is made easy. Time Beacon still works in buildings with poor GPS reception because the location data associated with the beacon will be transmitted without delays when the phone returns to a location with good reception.



Mechanics of Time Beacon in TimeTec TA

Install Time Beacons at specific locations for staff's attendance clocking and the staff needs to open TimeTec TA App on their smartphone and scan the nearby beacon to record their attendance. Work codes and/or activity codes can be assigned to label the worked hours on the employee timesheet. Arrivals, departures and break times are recorded by the smartphone on site, and the administrator can access TimeTec TA cloud solution and get the real-time data for further analysis. The deployment of Time Beacon and mobile app in today's BYOD or Bring Your Own Device environment gets you to save on the hardware cost for time clocking and it brings convenience to both employer and the staff alike.

SPECIFICATIONS

SIZE (H X W X L)	10 mm x 45 mm x 45 mm
WEIGHT	20g
POWER	3VDC button battery (CR2477)
COMMUNICATION	Bluetooth Low Energy 4.0
CHIPSET	Type I - Nordic 51822
MOBILE OS SUPPORT	iOS 6.0 and above, Android 4.3 and above
WORKING MODE	3 (Sleep mode, Connect Mode, Disconnect mode)
TX POWER	4 selections (-23dBm, -6dBm, 0dBm, +4dBm)
OPERATING TEMPERATURE	-10 ~ 85
STORAGE TEMPERATURE	-10 ~ 85
MOUNTING METHOD	Adhesive sticker
CERTIFICATIONS	CE, FCC, RoHS



TimeTec Patrol App



Android



TimeTec TA App



iOS Android

FINGERTEC
www.fingertec.com

©2020 Timetec Computing Sdn Bhd. All rights reserved.

Authorized Reseller: